

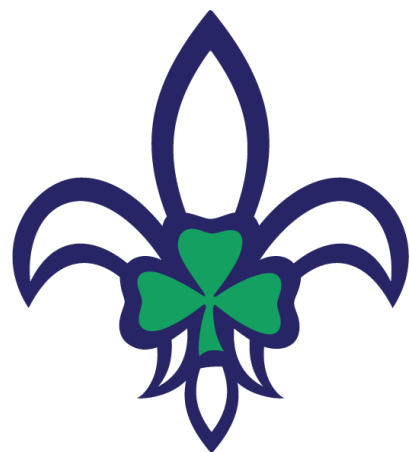


SCOUTING
IRELAND

Sixer &

Seconder

Weekend



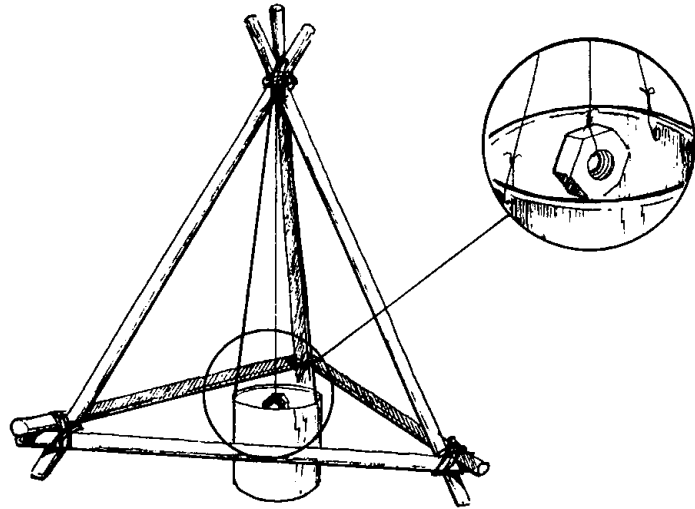
Sixer and Seconder Weekend

Information for Tripod

Time	Group
2.30 pm	Group 2
3.05 pm	Group 3
3.40 pm	Group 4
4.15 pm	Group 5
4.50 pm	Group 1

Equipment Required

- 6 ft lengths wood x 6
- Sisal
- Bucket/Tin Can
- Weight



Points for Cubs

- What equipment is needed for various pioneering gadgets:
 - Suitable project*
 - Preparation and planning*
 - Preparing an equipment list*
 - Listing the main pioneering elements in the structure*
- Cubs must:
 - Explain what was built*
 - List the equipment required*
 - Identify the main pioneering elements in the gadget*

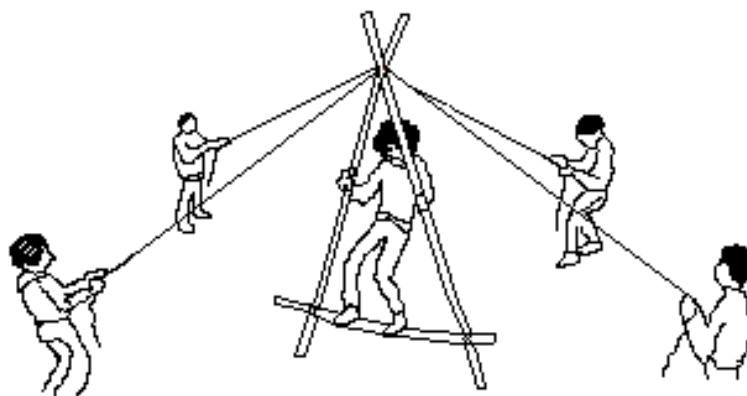
Sixer and Seconder Weekend

Information for Walking A Frame

Time	Group
2.30 pm	Group 4
3.05 pm	Group 5
3.40 pm	Group 1
4.15 pm	Group 2
4.50 pm	Group 3

Equipment Required

- 6 ft lengths wood x 1
- 8 ft lengths wood x 2
- Sisal
- 9mm rope



Points for Cubs

- What equipment is needed for various pioneering gadgets:
 - Suitable project*
 - Preparation and planning*
 - Preparing an equipment list*
 - Listing the main pioneering elements in the structure*
- Cubs must:
 - Explain what was built*
 - List the equipment required*
 - Identify the main pioneering elements in the gadget*



Sixer and Seconder Weekend

Information for Ladder

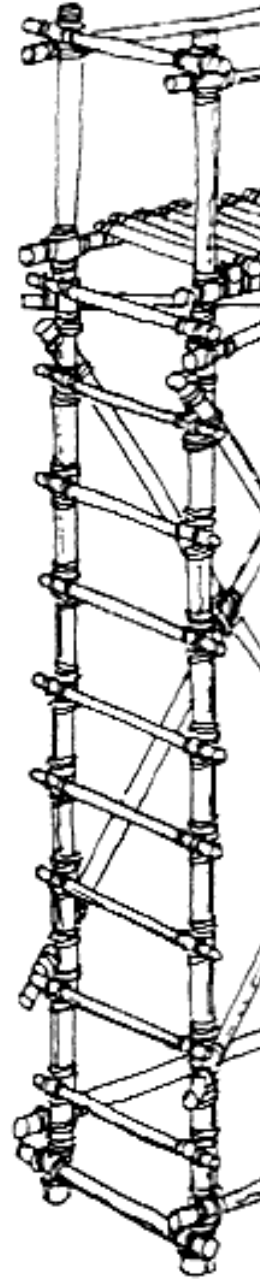
Time	Group
2.30 pm	Group 3
3.05 pm	Group 4
3.40 pm	Group 5
4.15 pm	Group 1
4.50 pm	Group 2

Equipment Required

- 8ft lengths of wood x 2
- 2ft lengths of wood x 7
- Sisal

Points for Cubs

- Safety precautions needed with pioneering:
 - Use of hard hats if large object getting assembled*
 - How a heavy load might be lifted*
 - How to use guy ropes for security*
 - How a project is constructed*
 - Point out the danger points in the build process*
- Cubs must:
 - Explain how a heavy load might be lifted*
 - Describe how to secure a gadget using guy ropes*
 - Describe how the ladder was constructed*
 - Identify any danger points in the process*
 - Identify the main pioneering elements in the gadget*



Sixer and Seconder Weekend

Information for Stretcher

Time	Group
2.30 pm	Group 1
3.05 pm	Group 2
3.40 pm	Group 3
4.15 pm	Group 4
4.50 pm	Group 5

Equipment Required

- 6 ft lengths wood x 4
- 2 ft lengths wood x 6
- Sisal



Points for Cubs

- Safety precautions needed with pioneering:
 - Use of hard hats if large object getting assembled*
 - How a heavy load might be lifted*
 - How to use guy ropes for security*
 - How a project is constructed*
 - Point out the danger points in the build process*
- Cubs must:
 - Explain how a heavy load might be lifted*
 - Describe how to secure a gadget using guy ropes*
 - Describe how the stretcher was constructed*
 - Identify any danger points in the process*
 - Identify the main pioneering elements in the gadget*

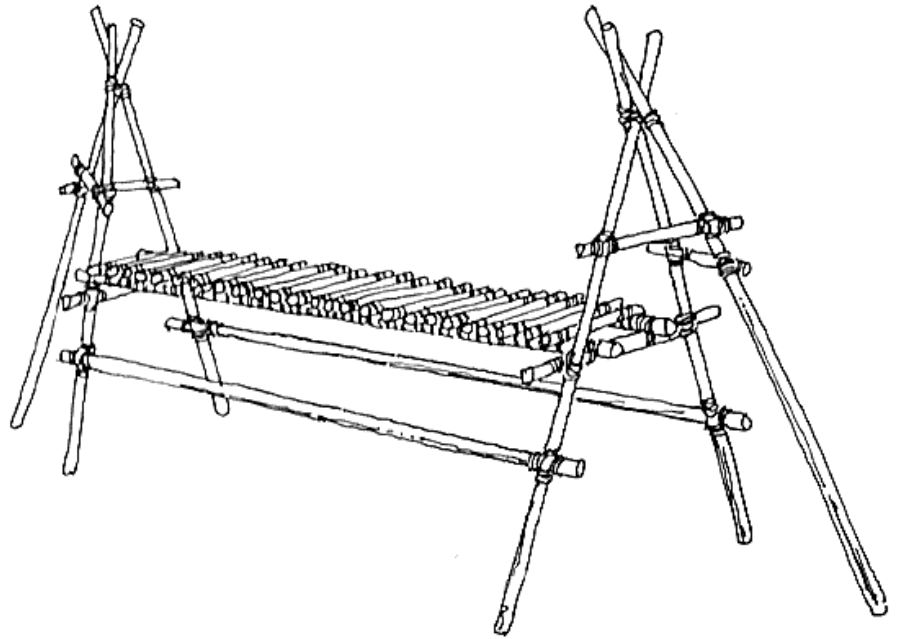
Sixer and Seconder Weekend

Information for Table

Time	Group
2.30 pm	Group 5
3.05 pm	Group 1
3.40 pm	Group 2
4.15 pm	Group 3
4.50 pm	Group 4

Equipment Required

- 8 ft lengths wood x 2
- 6 ft lengths wood x 6
- 3 ft lengths wood x 2
- 2ft lengths wood x 4
- Table top
- Sisal



Points for Cubs

- What equipment is needed for various pioneering gadgets:
 - Suitable project*
 - Preparation and planning*
 - Preparing an equipment list*
 - Listing the main pioneering elements in the structure*
- Cubs must:
 - Explain what was built*
 - List the equipment required*
 - Identify the main pioneering elements in the gadget*